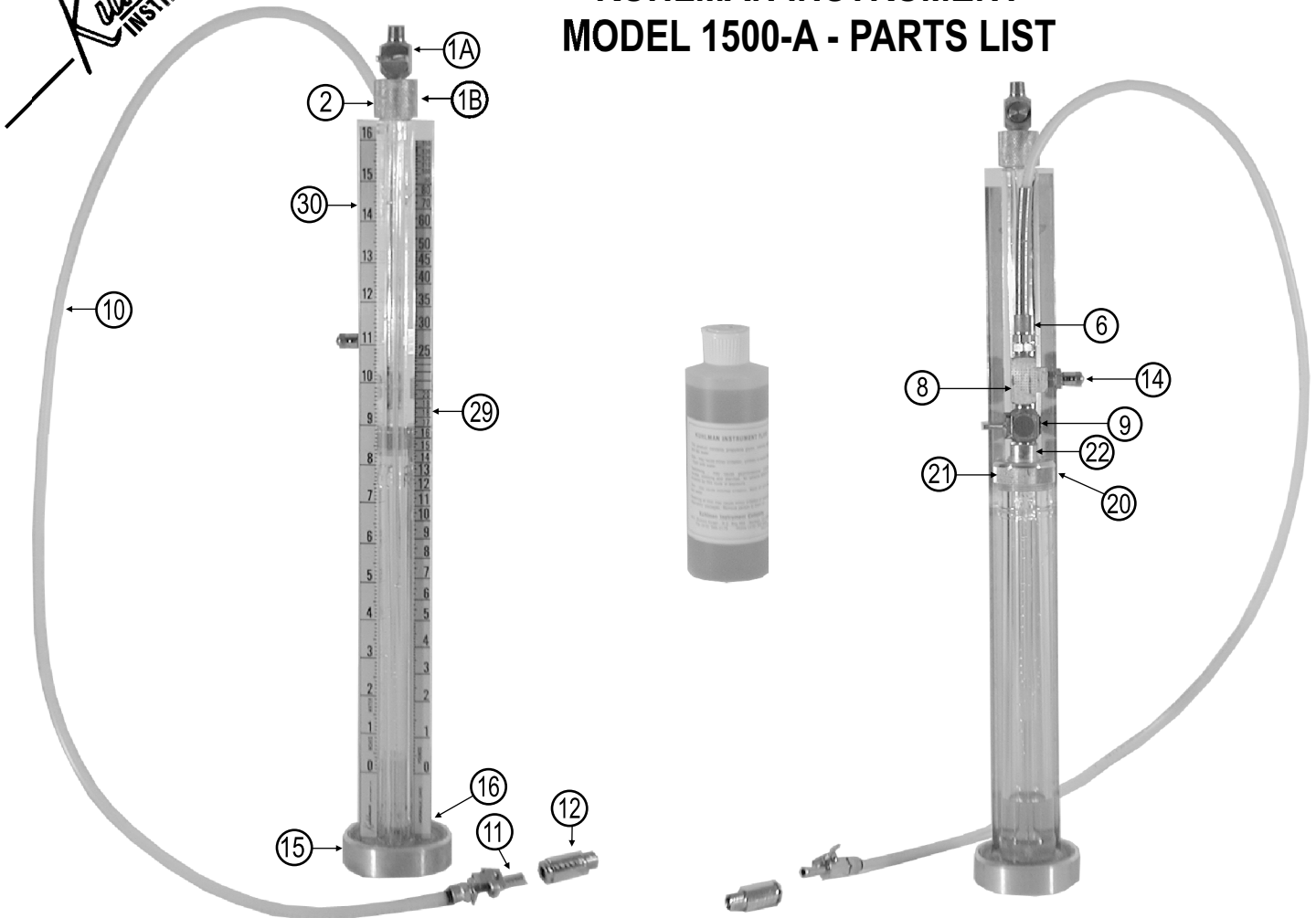


Catalog Number
1500

54 E. SUMMIT ST. • P.O. BOX 468 • NORWALK, OH 44857 • 419/668-9533 • FAX 419/668-2179
www.kuhlmaninstrument.com

Kuhlman
INSTRUMENT CO.

KUHLMAN INSTRUMENT MODEL 1500-A - PARTS LIST



1A. Top Cap w/Tri-Seal Valve	67.00	17. Clip-Box and Panel	NC
1B. Top Cap Threaded for Valve	28.00	20. Reservoir Cap	19.80
2. Top O-Ring	2.20	21. Reservoir O-Ring	2.20
3. Instrument Body	87.00	22. Reservoir Insert Fitting	19.80
4. Label, Box and Panel	NC	28. Operating Instructions	NC
6. 1/4 by 1/8" Poly Flo Fitting	7.20	29. Pound Scale	7.30
8. 1/8" Tee	6.50	30. Inch of Water Scale	7.30
9. Tri-Seal Valve #1	41.00	31. Plastic Carrying Case	40.00
10. Line Hose (3 ft.)	@1.10 per ft. - 3.30		
11. Quick Disconnect (Male)	17.40	1/2 Pint Instrument Fluid	5.50
12. Quick Disconnect (Female) 1/8"	18.30	Gallon Instrument Fluid	29.00
14. Pump Valve	9.00	35. Valve Repair Kit	ea. 6.80
15. Bottom Cap	38.50	36. Nut w/Spring Guard	ea. 11.50
16. Bottom O-Ring	2.20	37. Aluminum Board	40.00

MODEL 1500A Complete with Valve on Top & Metal Case390.00
MODEL 1500A Complete with Valve on Top & Aluminum Board390.00

Prices effective April 3, 2017
Prices subject to change without notice
STOCK #112

CAUTION/WARNING:
Maximum Working Pressure 150 PSIG

Over 58 Years of Service to Customers

Manufacturers
of Precision
Instruments